



1011

consumer pricelist  
United States  
April 2026

joli

GHEKIERE INDUSTRIES NV  
Industrielaan 5, 8520 Kurne, Belgium - T +32 (0) 56 37 27 16  
info@joli.be - www.joli.be

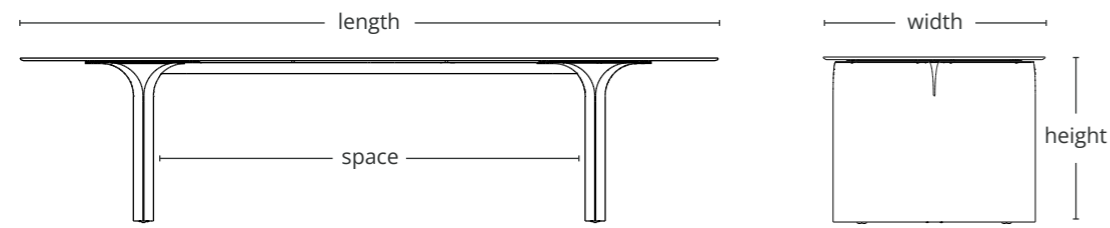
MSRP price list USD VAT excl.  
Incoterm EXW NJ  
Shipping quote available on request  
Prices are subjected to change without prior notice

Arcs	06
Central	10
Curve	16
Fizz	20
Flower	22
Nido	24
Olivo	26
Pulse	30
Sepia	34
Tendo	36
Wire	38

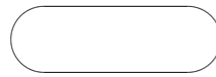
# arcs dining tables & bench

indoor & outdoor

designed by Jeffrey Huyghe



## ceramic top: oval table



length	width	height	space	seats*	quantity / box / table	volume (m <sup>3</sup> )	weight (lbs)	MSRP	TAX	MSRP + TAX
125.2	39.4	29.5	81.1	8 - 10	4	0.9	194.0	10,295	680	10,975
102.4	39.4	29.5	58.3	6 - 8	4	0.8	156.5	9,830	645	10,475
90.6	39.4	29.5	50.4	4	4	0.8	136.7	9,350	610	9,960

## wooden top: oval table



length	width	height	space	seats*	quantity / box / table	volume (m <sup>3</sup> )	weight (lbs)	MSRP	TAX	MSRP + TAX
125.2	39.4	29.5	81.1	8 - 10	4	0.9	194.0	14,840	985	15,825
102.4	39.4	29.5	58.3	6 - 8	4	0.8	156.5	13,220	875	14,095
90.6	39.4	29.5	50.4	4	4	0.8	136.7	12,950	850	13,800

## ceramic top: faux elypts table



length	width	height	space	seats*	quantity / box / table	volume (m <sup>3</sup> )	weight (lbs)	MSRP	TAX	MSRP + TAX
118.1	43.3	29.5	81.1	8	4	0.9	202.8	10,295	680	10,975
98.4	43.3	29.5	58.3	6	4	0.8	167.6	9,830	645	10,475
86.6	43.3	29.5	50.4	4	4	0.8	147.7	9,350	610	9,960

## wooden top: bench

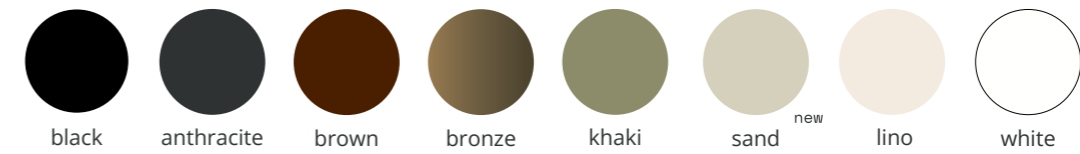


length	width	height	suitable with oval table	quantity / box / table	volume (m <sup>3</sup> )	weight (lbs)	MSRP	TAX	MSRP + TAX
105.5	15.7	17.1	125.2	3	0.15	70.5	7,025	455	7,480
82.7	15.7	17.1	102.4	3	0.14	57.3	6,015	380	6,395
70.9	15.7	17.1	90.6	3	0.14	52.9	5,715	355	6,070
59.1	15.7	17.1		3	0.13	46.3	5,415	330	5,745

\* depending on chair width

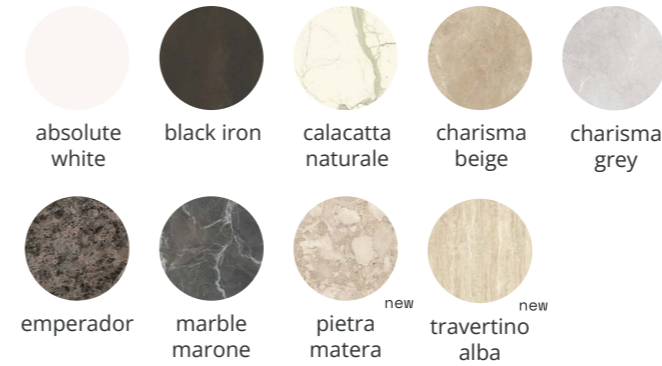
## frame

alu + stainless steel

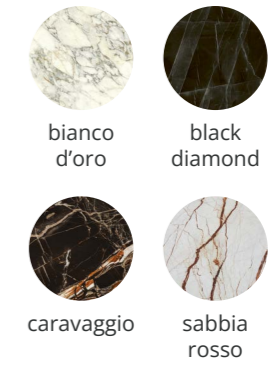


## ceramic table top

matt

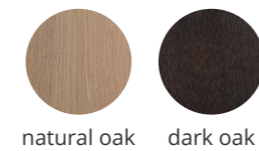


glossy



## wooden top

indoor



## table top finish



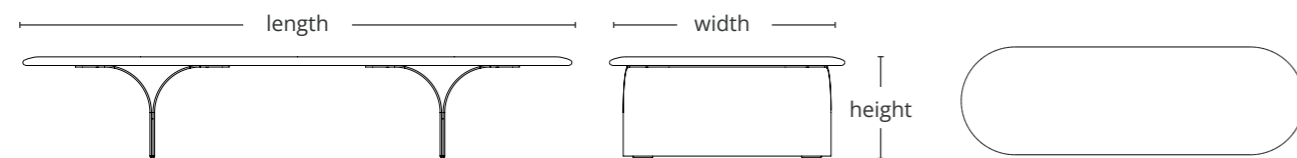
## + supplement

- Adjustment frame or top: closest standard dimension +15%
- Adjustment frame and top: closest standard dimension +25%
- Height not adjustable

# arcs coffee tables

indoor & outdoor

designed by Jeffrey Huyghe

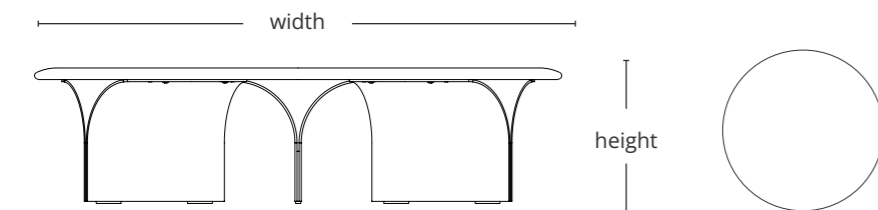


## ceramic top: oval coffee table

length	width	height	quantity / box / table	volume (m <sup>3</sup> ) ceramics / wood	weight (lbs) ceramics / wood	\$		
						MSRP	TAX	MSRP + TAX
63.0	27.6"	10.2"	2	0,17 / 0,19	97 / 84	5,225	320	5,545
55.1"	23.6"	10.2"	2	0,17 / 0,18	84 / 66	5,225	315	5,540

## wooden top: oval coffee table

length	width	height	quantity / box / table	volume (m <sup>3</sup> ) ceramics / wood	weight (lbs) ceramics / wood	\$		
						MSRP	TAX	MSRP + TAX
63.0	27.6"	10.2"	2	0,17 / 0,19	97 / 84	7,100	445	7,545
55.1"	23.6"	10.2"	2	0,17 / 0,18	84 / 66	7,100	440	7,540



## ceramic top: round coffee table

width	height	quantity / box / table	volume (m <sup>3</sup> ) ceramics / wood	weight (lbs) ceramics / wood	\$		
					MSRP	TAX	MSRP + TAX
39.4"	10.2"	3	0,17 / 0,18	77 / 60	5,300	305	5,605

## wooden top: round coffee table

width	height	quantity / box / table	volume (m <sup>3</sup> ) ceramics / wood	weight (lbs) ceramics / wood	\$		
					MSRP	TAX	MSRP + TAX
39.4"	10.2"	3	0,17 / 0,18	77 / 60	6,650	395	7,045

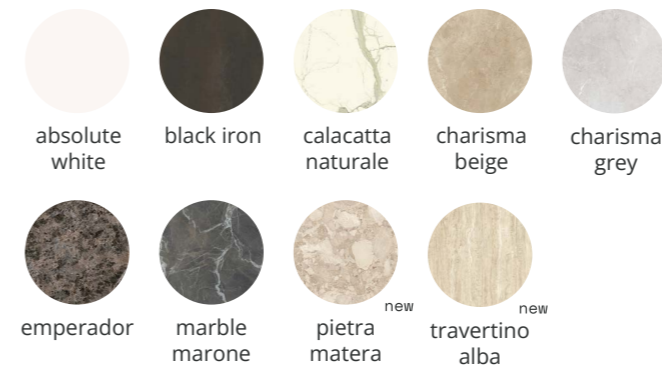
## frame

alu + stainless steel

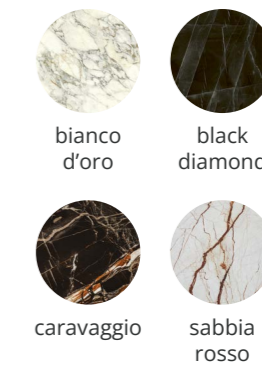


## ceramic table top

matt

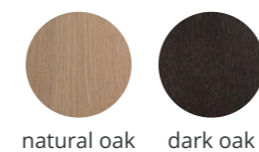


glossy



## wooden top

indoor



## table top finish



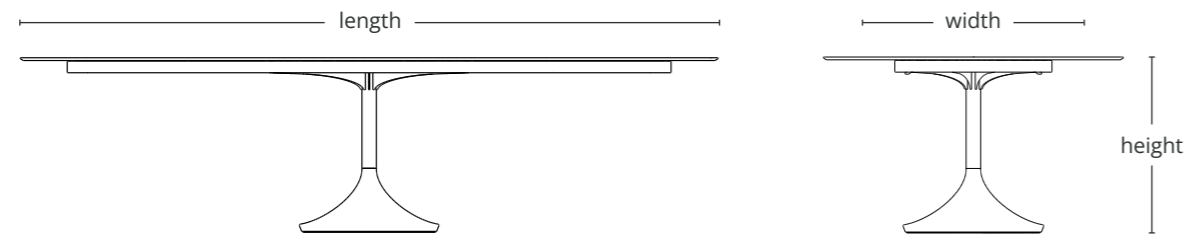
## + supplement

- Adjustment frame or top: closest standard dimension +15%
- Adjustment frame and top: closest standard dimension +25%
- Height not adjustable

# central dining big tables

indoor & outdoor

designed by Mathias De Ferm



## ceramic top: elyps big

length	width	height	seats*	quantity / box / table	volume (m <sup>3</sup> )	weight (lbs)	MSRP	TAX	MSRP + TAX
118.1	50.4	29.5	8 - 10	9	1.2	606.3	14,225	945	15,170
98.4	50.4	29.5	6 - 8	9	1.2	584.2	13,925	920	14,845
82.7	50.4	29.5	6	9	1.2	568.8	13,625	895	14,520

## ceramic top: faux elyps big

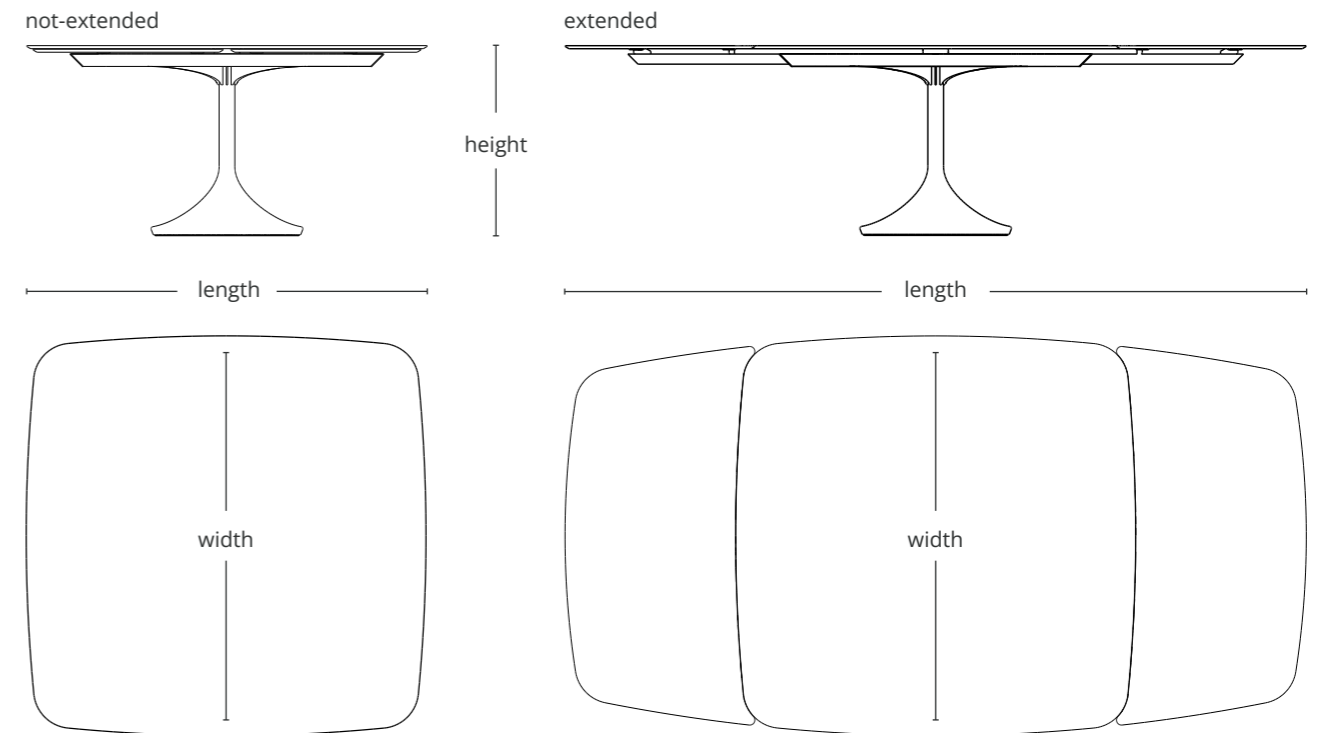
length	width	height	seats*	quantity / box / table	volume (m <sup>3</sup> )	weight (lbs)	MSRP	TAX	MSRP + TAX
118.1	43.3	29.5	10	9	1.2	606.3	14,585	970	15,555
98.4	43.3	29.5	8	9	1.2	584.2	14,285	945	15,230
86.6	43.3	29.5	6 - 8	9	1.2	568.8	13,985	920	14,905

## wooden top: faux elyps big

length	width	height	seats*	quantity / box / table	volume (m <sup>3</sup> )	weight (lbs)	MSRP	TAX	MSRP + TAX
118.1	43.3	29.5	10	9	1.2	606.3	18,950	1,260	20,210
98.4	43.3	29.5	8	9	1.2	584.2	16,685	1,105	17,790
86.6	43.3	29.5	6 - 8	9	1.2	568.8	on request	on request	on request

## ceramic top: round big

length	width	height	seats*	quantity / box / table	volume (m <sup>3</sup> )	weight (lbs)	MSRP	TAX	MSRP + TAX
62.2	62.2	29.5	7 - 8	9	1.2	562.2	12,575	815	13,390



## ceramic top: faux carré extensible

length not-extended	length extended	width	height	seats* not-extended	seats* extended	quantity / box / table	volume (m <sup>3</sup> )	weight (lbs)	MSRP	TAX	MSRP + TAX
62.2	118.1	62.2	75	8	10 - 12	9	0,7	694.5	20,450	1,365	21,815

## ceramic top: carré big

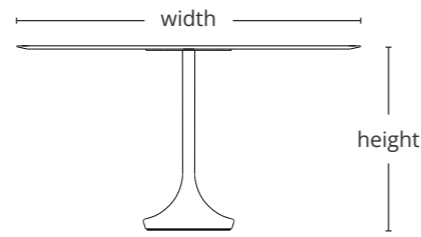
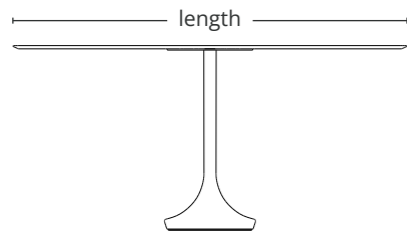
length	width	height	seats*	quantity / box / table	volume (m <sup>3</sup> )	weight (lbs)	MSRP	TAX	MSRP + TAX
62.2	62.2	29.5	7 - 8	9	1.2	562.2	12,575	815	13,390

\* depending on chair width

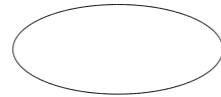
# central dining tables

indoor & outdoor

designed by Mathias De Ferm

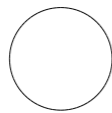


## ceramic top: elyps small



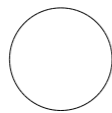
length	width	height	seats*	quantity / box / table	volume (m <sup>3</sup> )	weight (lbs)	MSRP	TAX	MSRP + TAX
63.0	35.4	29.5	4	2	0.5	178.6	6,260	390	6,650
63.0	27.6	29.5	2 - 4	2	0.5	158.7	6,095	380	6,475

## ceramic top: round small



	width	height	seats*	quantity / box / table	volume (m <sup>3</sup> )	weight (lbs)	MSRP	TAX	MSRP + TAX
high	47.2	35.4	4 - 5	2	0.5	180.8	6,690	405	7,095
	39.4	35.4	4	2	0.5	158.7	6,530	385	6,915
normal	55.1	29.5	6 - 8	2	0.5	141.1	7,115	425	7,555
	47.2	29.5	5 - 6	2	0.5	119.0	6,690	405	7,095
low	39.4	29.5	4 - 5	2	0.5	110.2	6,530	385	6,915
	55.1	26.0	5 - 6	2	0.5	141.1	7,115	425	7,555
	47.2	26.0	4 - 5	2	0.5	119.0	6,690	405	7,095
	39.4	26.0	4	2	0.5	110.2	6,530	385	6,915

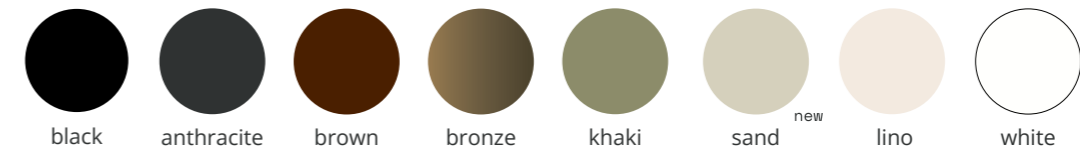
## wooden top: round small



	width	height	seats*	quantity / box / table	volume (m <sup>3</sup> )	weight (lbs)	MSRP	TAX	MSRP + TAX
high	47.2	35.4	4 - 5	2	0.5	180.8	8,300	515	8,815
	39.4	35.4	4	2	0.5	158.7	7,685	465	8,150
normal	47.2	29.5	5 - 6	2	0.5	119.0	8,300	515	8,815
	39.4	29.5	4 - 5	2	0.5	110.2	7,685	465	8,150
low	47.2	26.0	4 - 5	2	0.5	119.0	8,300	515	8,815
	39.4	26.0	4	2	0.5	110.2	7,685	465	8,150

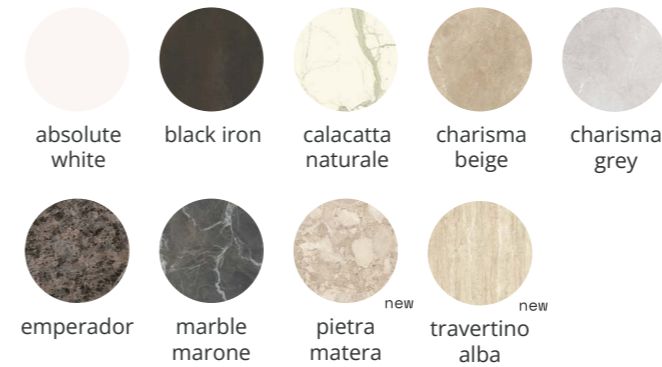
## frame

central big tables: alu + stainless steel  
dining tables: metalised cast iron + stainless steel

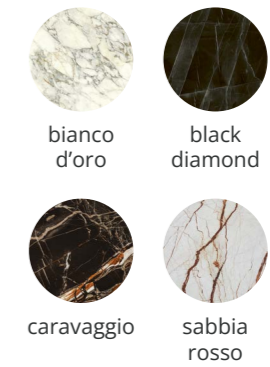


## ceramic table top

### matt

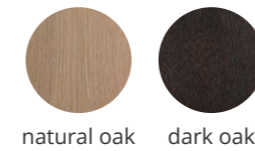


### glossy



## wooden top

indoor



## table top finish



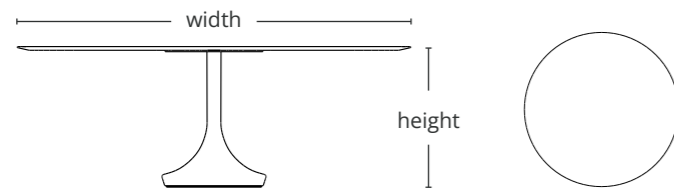
## + supplement

- Adjustment frame or top: closest standard dimension +15%
- Adjustment frame and top: closest standard dimension +25%
- Height not adjustable

# central coffee tables

indoor & outdoor

designed by Mathias De Ferm



## ceramic top: coffee table round

width	height	quantity / box / table	volume (m <sup>3</sup> )	weight (lbs)	\$		
					MSRP	TAX	MSRP + TAX
39.4	11.8	2	0.5	66.1	3,680	195	3,875
31.5	15.8	2	0.5	57.3	3,115	140	3,255
23.6	19.7	2	0.5	44.1	2,730	90	2,820

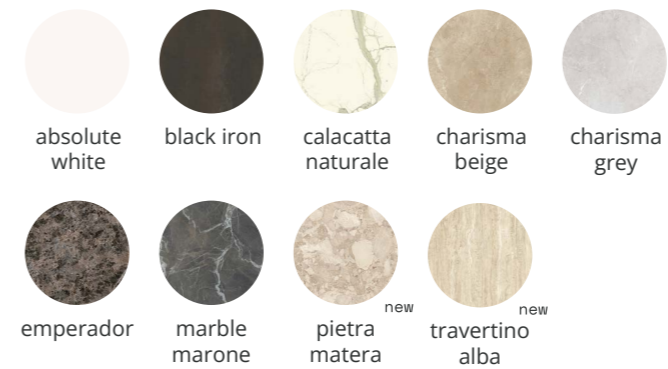
## frame

coffee tables: stainless steel

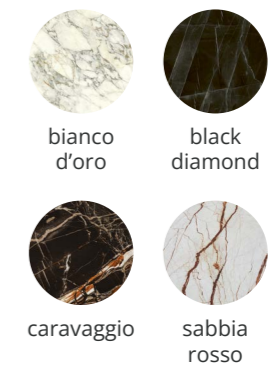


## ceramic table top

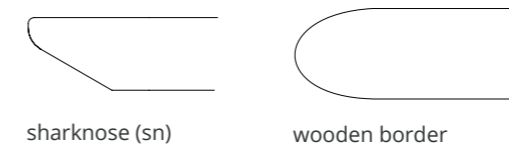
### matt



### glossy



## table top finish



## + supplement

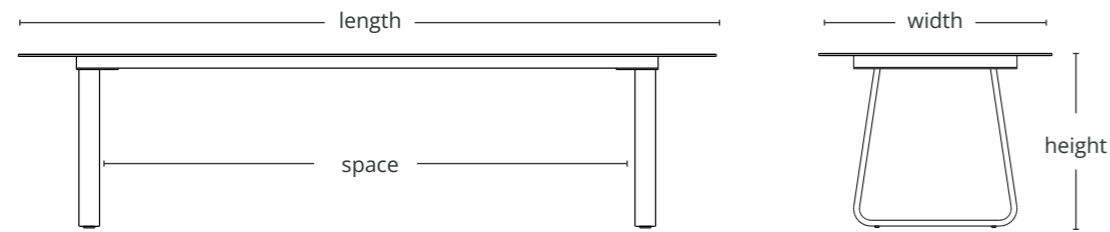
- Adjustment frame or top: closest standard dimension +15%
- Adjustment frame and top: closest standard dimension +25%
- Height not adjustable

\* depending on chair width

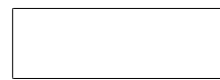
# curve dining tables

indoor & outdoor

designed by John Ghekiere



## rectangular



length	width	height	space	seats*	quantity / box / table	volume (m <sup>3</sup> )	weight (lbs)	MSRP	TAX	MSRP + TAX
118.1	39.4	29.5	90.6	8 - 10	4	0.5	275.6	8,330	545	8,875
98.4	39.4	29.5	70.9	8	4	0.5	209.4	8,100	525	8,625
86.6	39.4	29.5	59.1	6 - 8	4	0.5	202.8	7,970	515	8,485
78.7	39.4	29.5	54.3	6 - 8	4	0.5	185.2	6,935	440	7,375
70.9	35.4	29.5	43.3	6	4	0.5	160.9	6,825	430	7,255

## rectangular extendable



length	width	height	space	seats*	quantity / box / table	volume (m <sup>3</sup> )	weight (lbs)	MSRP	TAX	MSRP + TAX
84.6 - 124.0	39.4	29.5	70.9	6 - 10	4	0.5	275.6	9,165	620	9,785
63.0 - 94.5	39.4	29.5	53.5	6 - 8	4	0.5	209.4	8,945	605	9,550

## faux elyps

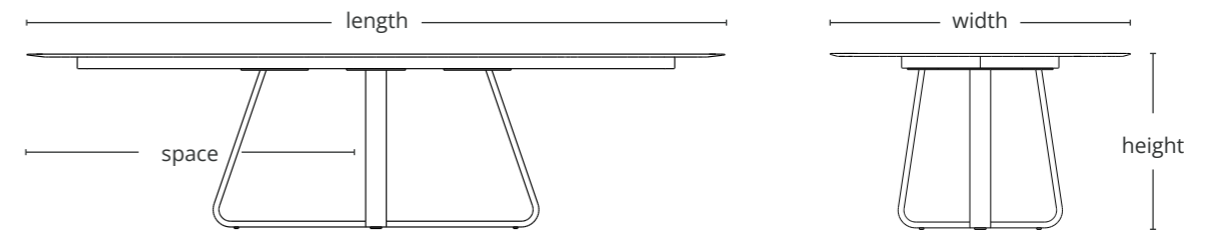


length	width	height	space	seats*	quantity / box / table	volume (m <sup>3</sup> )	weight (lbs)	MSRP	TAX	MSRP + TAX
118.1	43.3	29.5	90.6	10	4	0.5	282.2	8,435	555	8,990
98.4	43.3	29.5	70.9	8	4	0.5	213.8	8,100	525	8,625
86.6	43.3	29.5	59.1	6 - 8	4	0.5	209.4	7,730	500	8,230
78.7	43.3	29.5	54.3	6 - 8	4	0.5	191.8	7,500	480	7,980
70.9	39.4	29.5	43.3	6	4	0.5	167.6	6,795	430	7,225

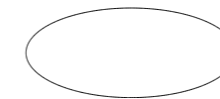
## faux elyps extendable



length	width	height	space	seats*	quantity / box / table	volume (m <sup>3</sup> )	weight (lbs)	MSRP	TAX	MSRP + TAX
86.6 - 126.0	43.3	29.5	70.9	6 - 10	6	0.63	264.6	11,225	760	11,985
65.0 - 96.5	43.3	29.5	53.5	6 - 8	6	0.44	264.6	10,895	740	11,635

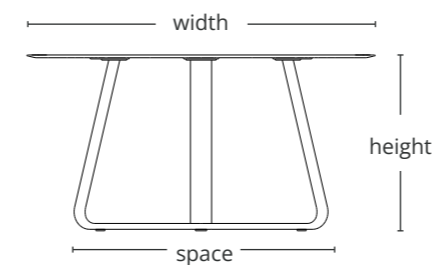


## elyps

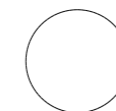


length	width	height	space	seats*	quantity / box / table	volume (m <sup>3</sup> )	weight (lbs)	MSRP	TAX	MSRP + TAX
118.1	50.4	29.5	55.1	8 - 10	3	0.5	302.0	10,895	720	11,615
98.4	50.4	29.5	55.1	6 - 8	3	0.5	266.8	10,520	690	11,210
82.7**	50.4	29.5	55.1	6	3	0.5	240.3	10,125	660	10,785

\*\* for this size, we use the same frame as in the 98.4" model, which may make the frame visible at the ends.



## round



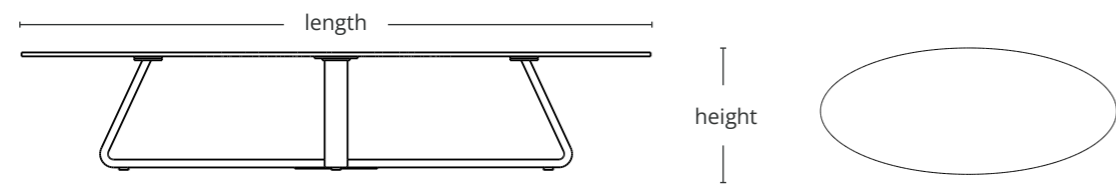
width	height	space	seats*	quantity / box / table	volume (m <sup>3</sup> )	weight (lbs)	MSRP	TAX	MSRP + TAX
59.1	29.5	28.7	6	2	0.4	180.8	6,555	405	6,960
47.2	29.5	28.7	4 - 5	2	0.4	167.6	5,745	340	6,085
39.4	29.5	28.7	4	2	0.3	143.3	5,405	310	5,715

\* depending on chair width

# curve coffee tables

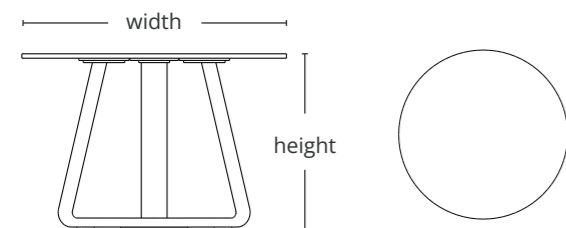
indoor & outdoor

designed by John Ghekiere



## elyps

length	width	height	quantity / box / table	volume (m <sup>3</sup> )	weight (lbs)	\$		
						MSRP	TAX	MSRP + TAX
70.9	35.4	11.8	2	0.4	132.3	5,505	340	5,845
63.0	27.6	11.8	2	0.3	121.3	4,640	280	4,920
47.2	23.6	11.8	2	0.3	112.4	4,360	250	4,610



## round

width	height	quantity / box / table	volume (m <sup>3</sup> )	weight (lbs)	\$		
					MSRP	TAX	MSRP + TAX
47.2	11.8	2	0.5	92.6	4,730	275	5,005
39.4	11.8	2	0.4	61.7	4,225	230	4,455
31.5	11.8	2	0.4	37.5	3,465	165	3,630
23.6	15.8	2	0.3	19.8	3,210	125	3,335
19.7	19.7	2	0.3	15.4	3,210	105	3,315

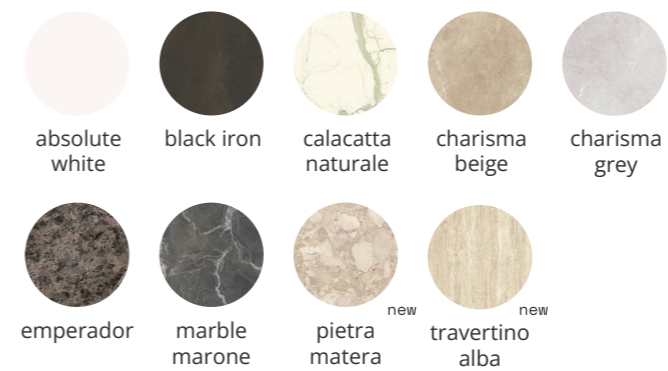
## frame

dining tables: lacquered aluminium  
 extendable dining tables: stainless steel lacquered (frame) + lacquered aluminium (legs)  
 coffee tables: lacquered aluminium

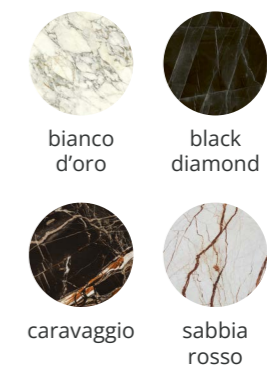


## ceramic table top

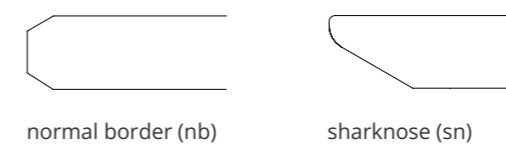
### matt



### glossy



## table top finish



## + supplement

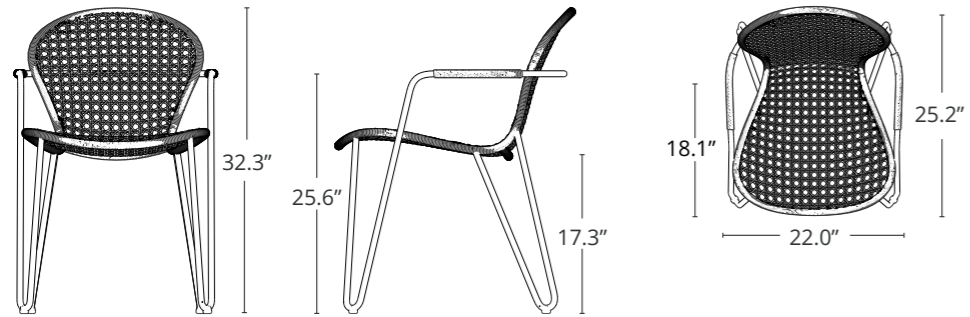
- Adjustment frame or top: closest standard dimension +15%
- Adjustment frame and top: closest standard dimension +25%
- Not adjustable for extendable tables
- Height not adjustable

# fizz chairs

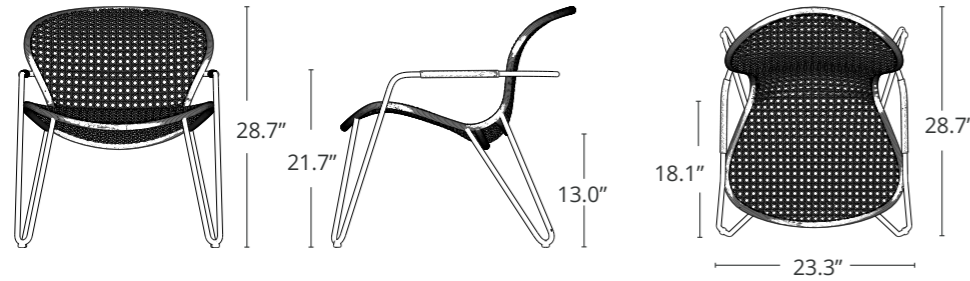
designed by Mathias De Ferm

indoor & outdoor

## dining chair

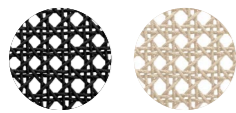


## low chair



## rope solemio

weatherproof Italian rope



charcoal lino

## frame

lacquered aluminium



black lino

## price

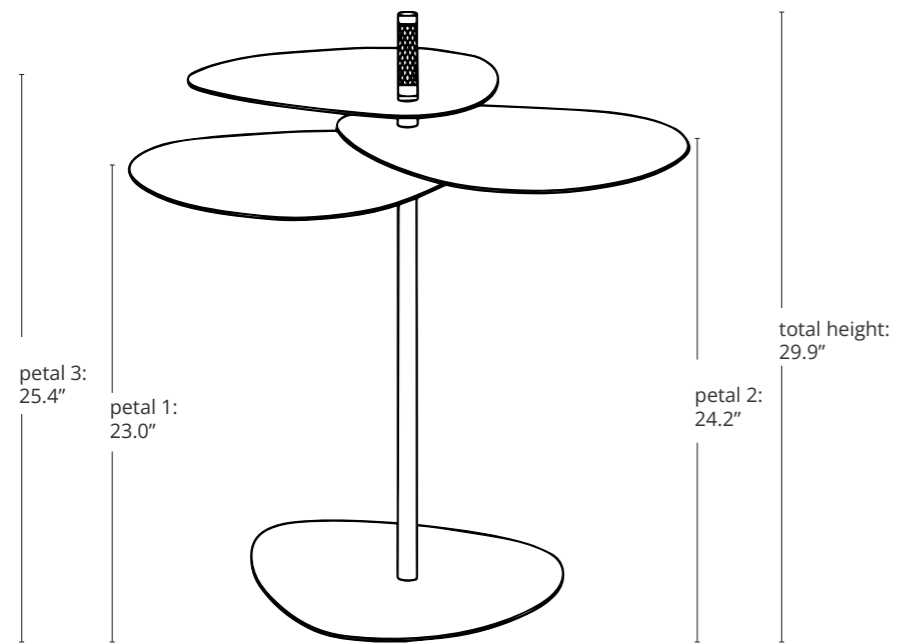
	quantity / box	volume (m <sup>3</sup> )	weight / box (lbs)	\$		
				MSRP	TAX	MSRP + TAX
dining chair	3	0.6	33.1	1,440	90	1,530
low chair	2	0.6	39.7	1,640	105	1,745



# flower side tables

indoor & outdoor

designed by Mathias De Ferm



length petals	width petals	quantity / box / table	volume (m <sup>3</sup> )	weight (lbs)	MSRP	TAX	MSRP + TAX
17.7"	15.9"	1	0.15	26.5	1,760	115	1,875

## frame

lacquered aluminium + stainless steel

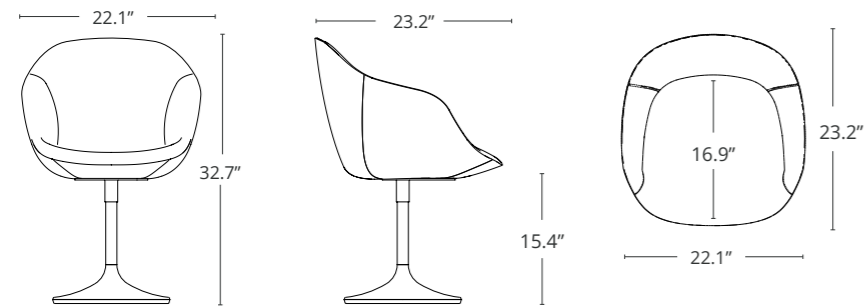


# nido chairs

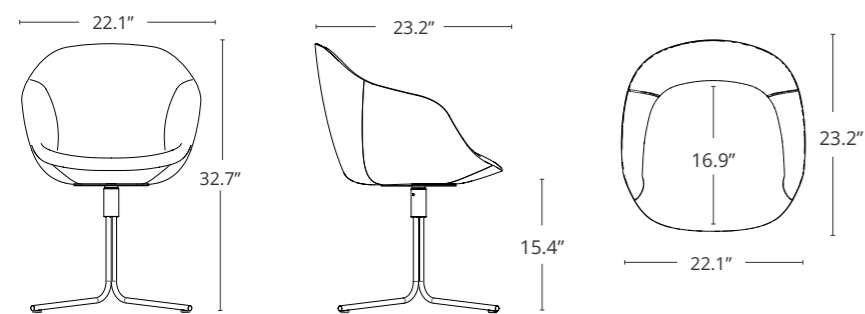
designed by Miel Daenens

indoor

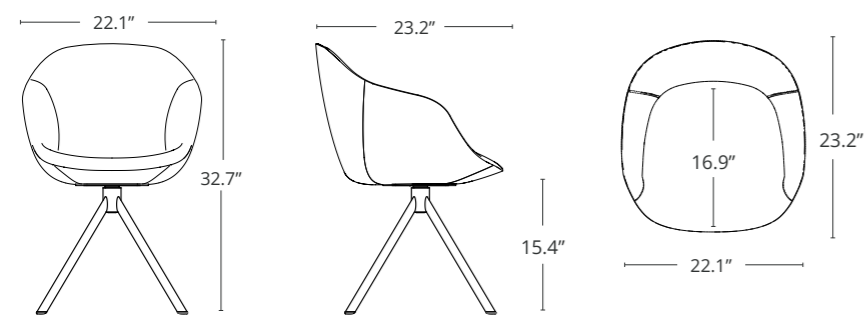
## central base



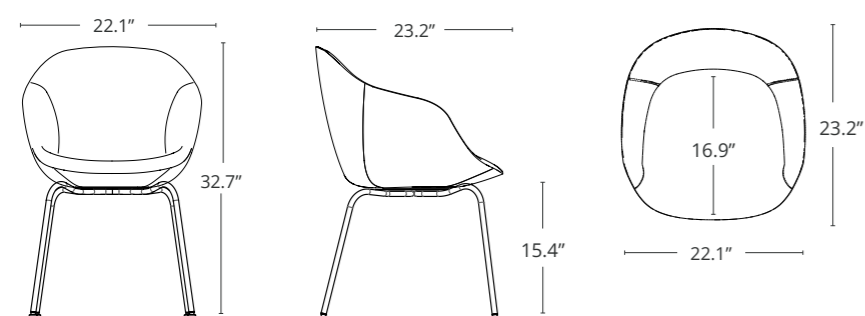
## spider base



## spinning base



## tube base



cushions see page 50 + 51

## frame

stainless steel lacquered



## price

	cibo & smooth			\$		
	quantity / box	volume (m <sup>3</sup> )	weight / box (lbs)	MSRP	TAX	MSRP + TAX
central base	2	0.15	19.8	2,130	140	2,270
spider / spinning / tube base	2	0.15	22.0	1,600	105	1,705

## price

	easy care			\$		
	quantity / box	volume (m <sup>3</sup> )	weight / box (lbs)	MSRP	TAX	MSRP + TAX
central base	2	0.15	19.8	2,000	130	2,130
spider / spinning / tube base	2	0.15	22.0	1,500	95	1,595

## price

	tanned leather			\$		
	quantity / box	volume (m <sup>3</sup> )	weight / box (lbs)	MSRP	TAX	MSRP + TAX
central base	2	0.15	19.8	2,350	155	2,505
spider / spinning / tube base	2	0.15	22.0	1,840	120	1,960

## price

	tanned leather - cibo/smooth*			\$		
	quantity / box	volume (m <sup>3</sup> )	weight / box (lbs)	MSRP	TAX	MSRP + TAX
central base	2	0.15	19.8	2,280	150	2,430
spider / spinning / tube base	2	0.15	22.0	1,760	115	1,875

leather-fabric combination

## price

	tanned leather - easy care*			\$		
	quantity / box	volume (m <sup>3</sup> )	weight / box (lbs)	MSRP	TAX	MSRP + TAX
central base	2	0.15	19.8	2,240	145	2,385
spider / spinning / tube base	2	0.15	22.0	1,730	110	1,840

leather-fabric combination

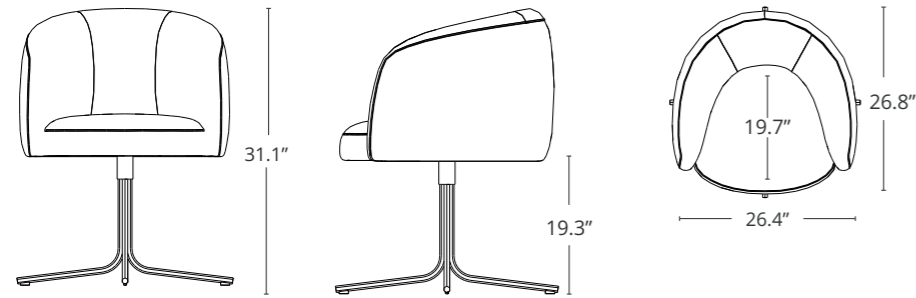
\* The back of the chair is upholstered in leather, and the seat is upholstered in fabric

# olivo chairs

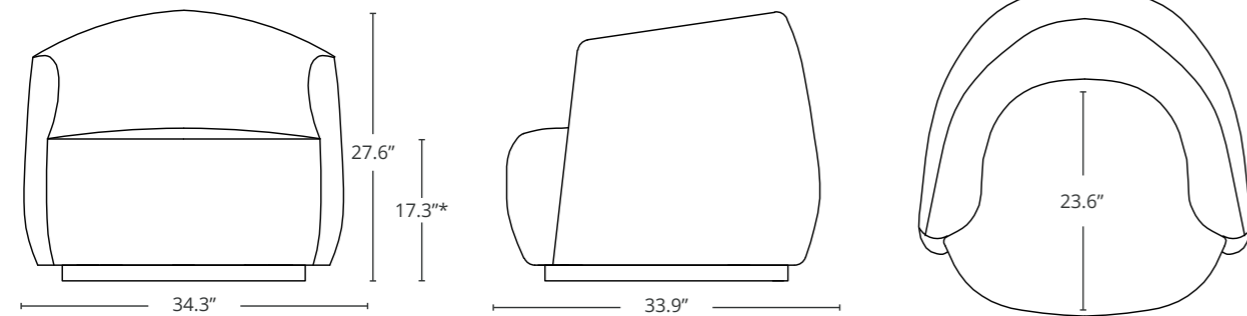
designed by John Ghekiere

indoor

## spider base



## lounge chair



## frame

metal lacquered



## fabrics

Custom upholstery with customer-provided fabric available. Contact us for further details.

### cibo



### moss-tex



## price

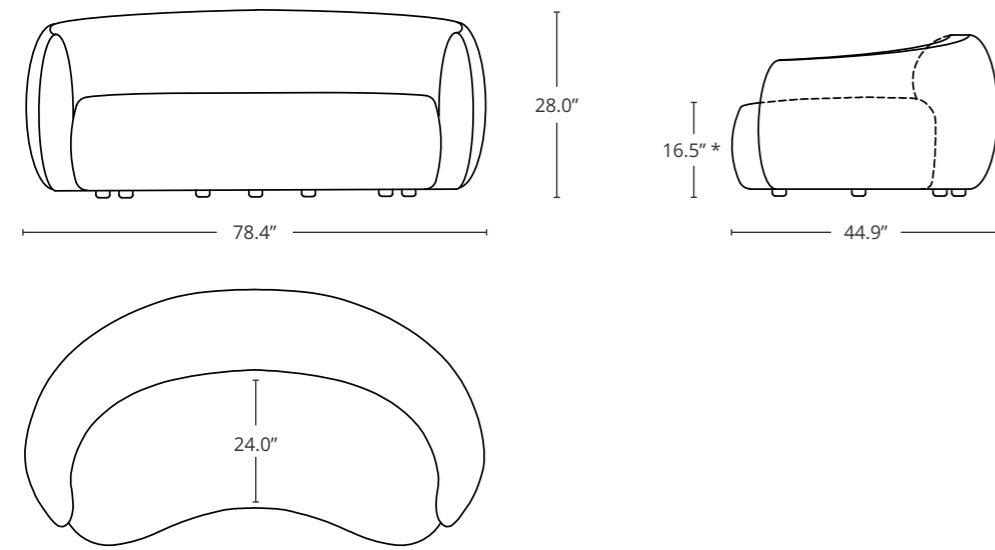
	quantity / box	volume (m <sup>3</sup> )	weight / box (lbs)	\$		
				MSRP	TAX	MSRP + TAX
spider base	1	0.36	35.3	1,740	115	1,855
lounge chair	1	0.55	68.3	3,820	255	4,075

\* The given height is the seat height; the chair will lower under weight

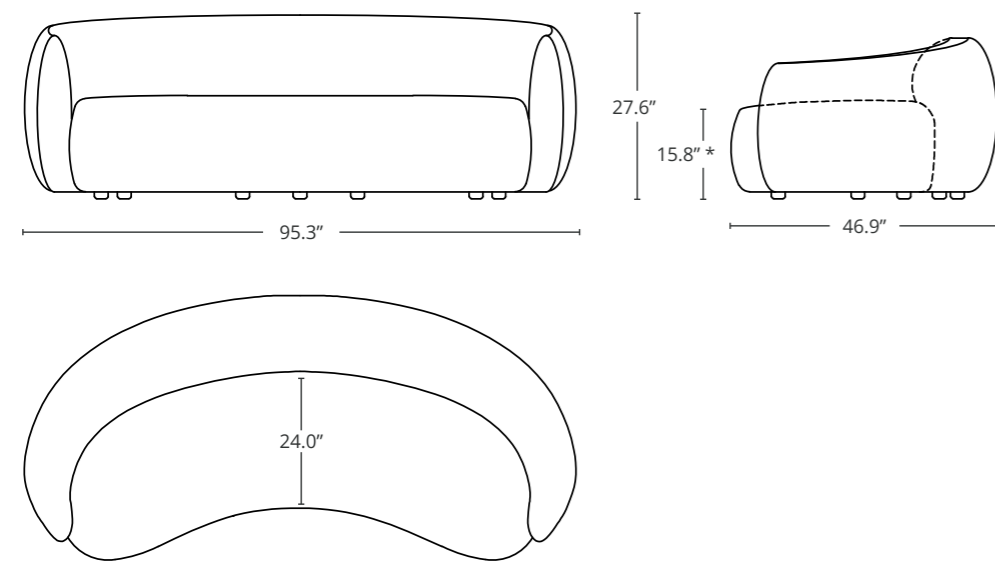
# olivo sofas

indoor

sofa 2-seat

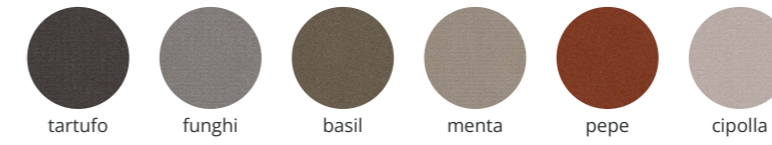


sofa 3-seat



## fabrics

### cibo



### moss-tex



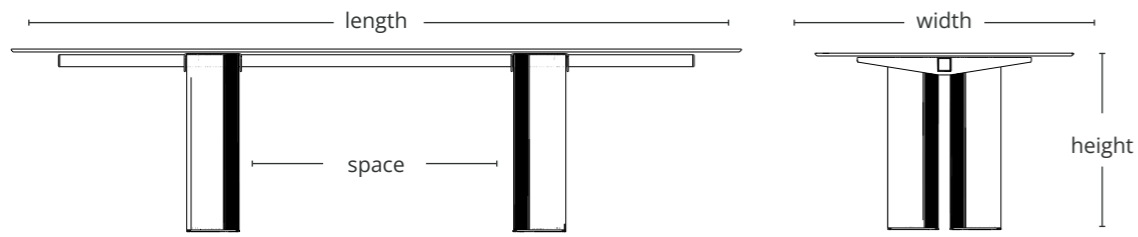
## price

	quantity / box	volume (m <sup>3</sup> )	weight / box (lbs)	\$		
				MSRP	TAX	MSRP + TAX
2-seat	1	1.7	121.3	6,590	440	7,030
3-seat	1	1.98	143.3	7,740	520	8,260

# pulse dining tables

indoor & outdoor

designed by Mathias De Ferm



## ceramic top: elyps



length	width	height	space	seats*	quantity / box / table	volume (m <sup>3</sup> )	weight (lbs)	MSRP	TAX	MSRP + TAX
118.1	50.4	29.5	43.3	8 - 10	4	0.1	293.2	7,625	500	8,125
98.4	50.4	29.5	28.5	6 - 8	4	0.1	268.9	7,325	475	7,800
78.7	39.4	29.5	24.6	6	4	0.1	238.1	7,175	460	7,635

## ceramic top: faux elyps



length	width	height	space	seats*	quantity / box / table	volume (m <sup>3</sup> )	weight (lbs)	MSRP	TAX	MSRP + TAX
118.1	39.4	29.5	43.3	10	4	0.1	313.1	8,075	530	8,605
98.4	39.4	29.5	28.5	8	4	0.1	273.4	7,625	495	8,120
86.6	39.4	29.5	24.6	6 - 8	4	0.1	249.1	7,325	470	7,795
78.7	39.4	29.5	24.6	6 - 8	4	0.1	233.7	7,175	460	7,635
70.9	39.4	29.5	24.6	6	4	0.1	209.4	7,025	445	7,470

## wooden top: elyps



length	width	height	space	seats*	quantity / box / table	volume (m <sup>3</sup> )	weight (lbs)	MSRP	TAX	MSRP + TAX
118.1	50.4	29.5	43.3	8 - 10	4	0.1		13,325	885	14,210
98.4	50.4	29.5	28.5	6 - 8	4	0.1		11,825	780	12,605
78.7	39.4	29.5	24.6	6	4	0.1		9,185	595	9,780

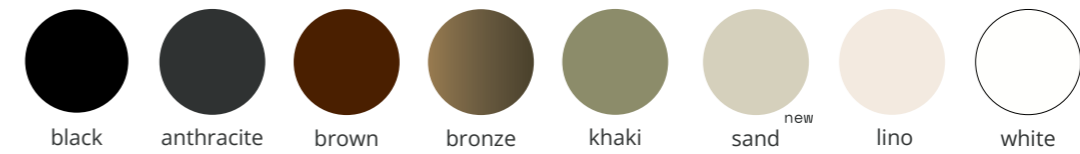
## wooden top: faux elyps



length	width	height	space	seats*	quantity / box / table	volume (m <sup>3</sup> )	weight (lbs)	MSRP	TAX	MSRP + TAX
118.1	39.4	29.5	43.3	10	4	0.1		12,185	805	12,990
98.4	39.4	29.5	28.5	8	4	0.1		10,685	700	11,385
86.6	39.4	29.5	24.6	6 - 8	4	0.1		9,875	645	10,520
78.7	39.4	29.5	24.6	6 - 8	4	0.1		9,185	595	9,780
70.9	39.4	29.5	24.6	6	4	0.1		8,825	565	9,390

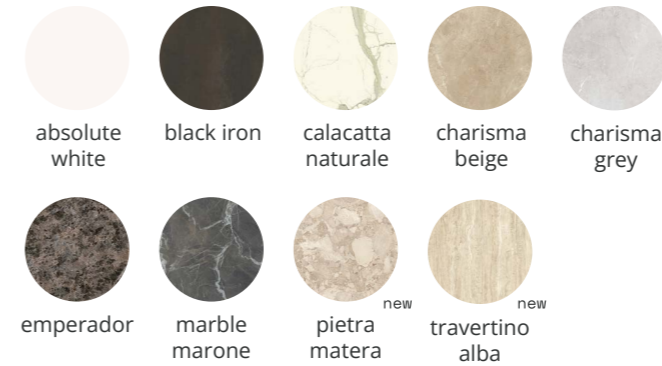
## frame

lacquered aluminium

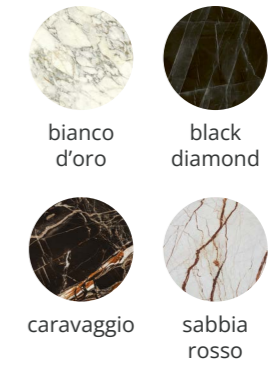


## ceramic table top

matt

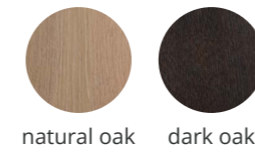


glossy

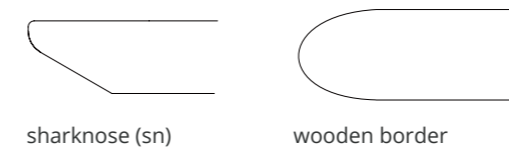


## wooden top

indoor



## table top finish



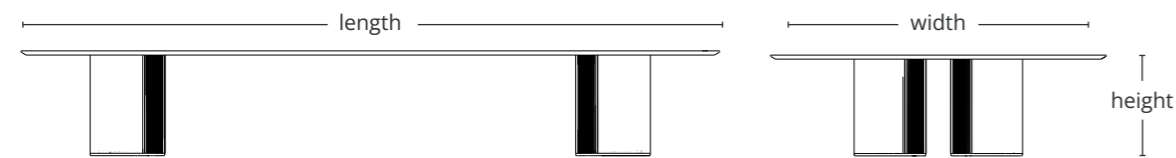
## + supplement

- Adjustment frame or top: closest standard dimension +15%
- Adjustment frame and top: closest standard dimension +25%
- Height not adjustable

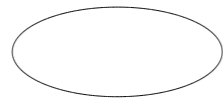
# pulse coffee tables

indoor & outdoor

designed by Mathias De Ferm

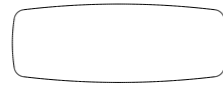


## ceramic top: elyps



length	width	height	quantity / box / table	volume (m <sup>3</sup> )	weight (lbs)	\$		
						MSRP	TAX	MSRP + TAX
78.7	39.4	10.8	2	0.05	130.1	6,585	420	7,005
70.9	35.4	10.8	2	0.05	108.0	5,400	335	5,735
63.0	27.6	10.8	2	0.04	81.6	4,345	260	4,605

## ceramic top: faux elyps



length	width	height	quantity / box / table	volume (m <sup>3</sup> )	weight (lbs)	\$		
						MSRP	TAX	MSRP + TAX
70.9	39.4	10.8	2	0.05	138.9	6,585	415	7,000
63.0	33.5	10.8	2	0.04	108.0	4,985	305	5,290
55.1	29.5	10.8	2	0.04	88.2	4,345	255	4,600
47.2	25.6	10.8	2	0.04	70.5	4,345	250	4,595

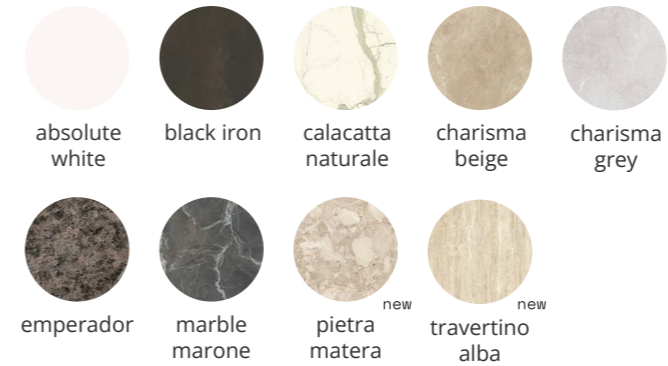
## frame

lacquered aluminium

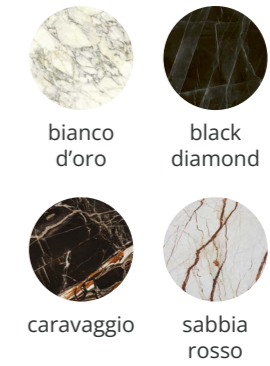


## ceramic table top

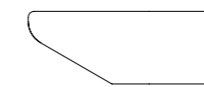
### matt



### glossy



## table top finish



sharknose (sn)

## + supplement

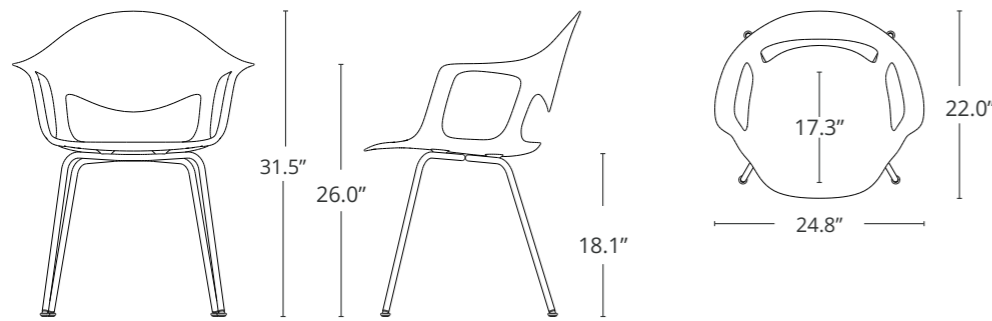
- Adjustment frame or top: closest standard dimension +15%
- Adjustment frame and top: closest standard dimension +25%
- Height not adjustable

# sepia chairs

designed by Mathias De Ferm

indoor & outdoor

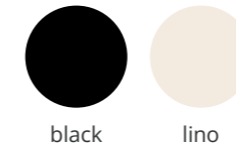
tube base



cushions see page 50 + 51

## seat

rigid polyurethane coloured in the mass



## frame

metal lacquered



## price

	lacquered			\$		
	quantity / box	volume (m <sup>3</sup> )	weight / box (lbs)	MSRP	TAX	MSRP + TAX
dining chair - tube base	2	0.2	15.4	990	60	1,050

## cushions:

	easy care & nautic linen			\$		
	quantity / box	volume (m <sup>3</sup> )	weight / box (lbs)	MSRP	TAX	MSRP + TAX
cushion				370	20	390

## cushions:

	cibo, grain & smooth			\$		
	quantity / box	volume (m <sup>3</sup> )	weight / box (lbs)	MSRP	TAX	MSRP + TAX
cushion				390	20	410

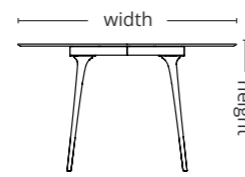
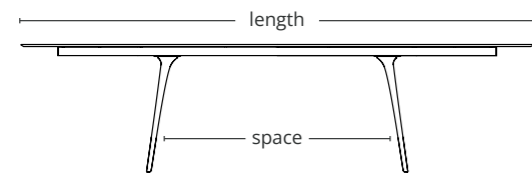
## cushions:

	tanned leather			\$		
	quantity / box	volume (m <sup>3</sup> )	weight / box (lbs)	MSRP	TAX	MSRP + TAX
cushion				450	25	475

# tendo tables

indoor & outdoor

designed by Quinten Bossuyt



## rectangular



length	width	height	space	seats*	quantity / box / table	volume (m <sup>3</sup> )	weight (lbs)	\$		
								MSRP	TAX	MSRP + TAX
118.1	39.4	29.5	90.6	8 - 10	3	0.15	242.5	6,350	410	6,760
98.4	39.4	29.5	70.9	8 - 10	3	0.13	207.2	6,185	395	6,580
86.6	39.4	29.5	59.1	8	3	0.11	185.2	5,975	380	6,355
78.7	39.4	29.5	54.3	8	3	0.10	171.9	5,930	375	6,305
70.9	35.4	29.5	43.3	6	3	0.09	145.5	5,825	365	6,190

## faux elyps



length	width	height	space	seats*	quantity / box / table	volume (m <sup>3</sup> )	weight (lbs)	\$		
								MSRP	TAX	MSRP + TAX
118.1	43.3	29.5	90.6	8 - 10	3	0.15	266.8	6,365	415	6,780
98.4	43.3	29.5	70.9	8 - 10	3	0.13	227.1	6,185	395	6,580
86.6	43.3	29.5	59.1	8	3	0.11	189.6	6,045	385	6,430
78.7	43.3	29.5	54.3	8	3	0.11	176.4	6,005	380	6,385
70.9	39.4	29.5	43.3	6	3	0.09	156.5	5,915	370	6,285

## elyps



length	width	height	space	seats*	quantity / box / table	volume (m <sup>3</sup> )	weight (lbs)	\$		
								MSRP	TAX	MSRP + TAX
118.1	50.4	29.5	55.1	8	3	0.16	277.8	7,100	465	7,565
98.4	50.4	29.5	55.1	6 - 8	3	0.12	235.9	6,875	445	7,320
82.7**	50.4	29.5	55.1	6	3	0.12	209.4	6,575	420	6,995

\* depending on chair width

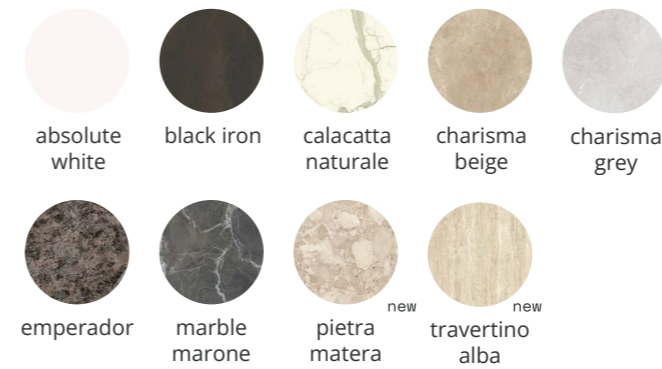
## frame

rectangular and faux elyps: lacquered stainless steel  
elyps: lacquered aluminium

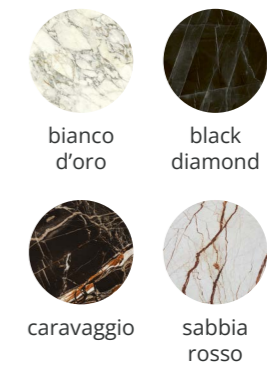


## ceramic table top

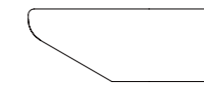
### matt



### glossy



## table top finish



sharknose (sn)

## + supplement

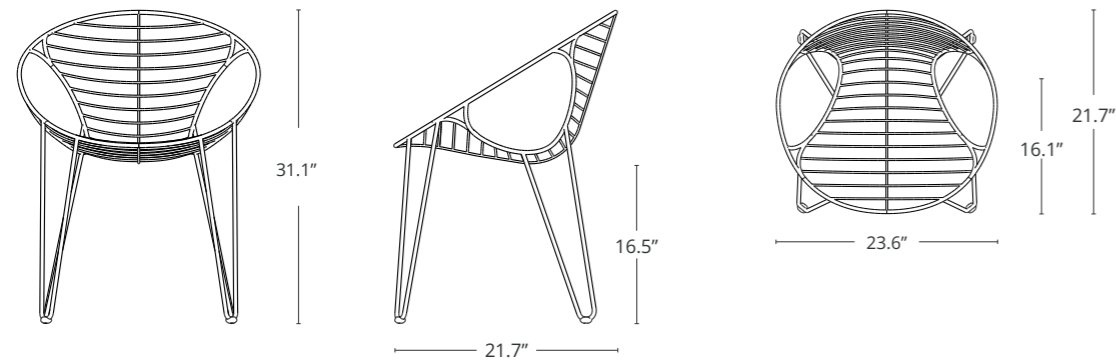
- Adjustment frame or top: closest standard dimension +15%
- Adjustment frame and top: closest standard dimension +25%
- Height not adjustable

# wire chairs

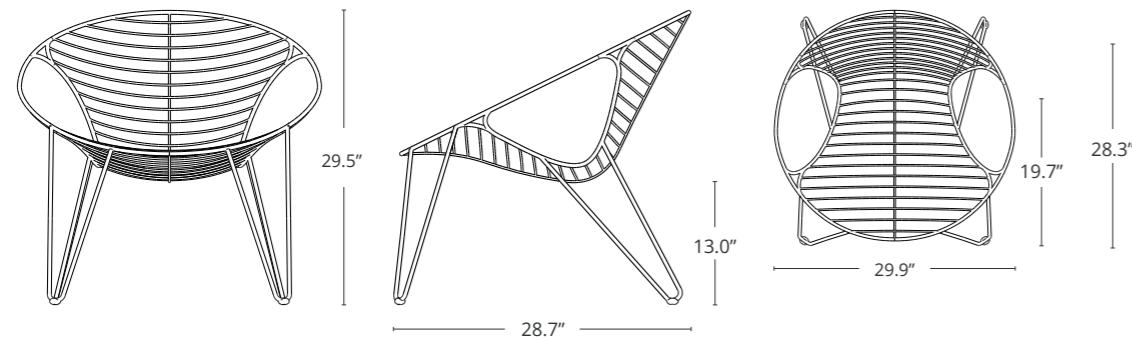
designed by Mathias De Ferm

indoor & outdoor

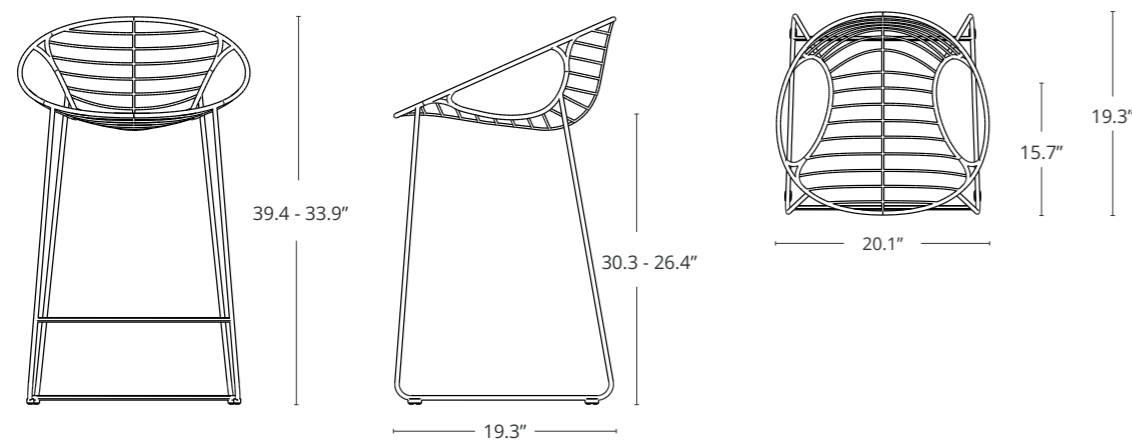
dining chair



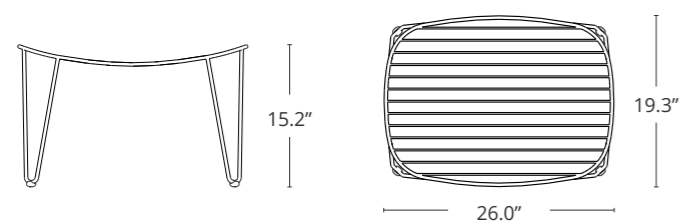
low chair



barstool high & low



tabouret



cushions see page 50 + 51

## frame

stainless steel lacquered



## price

	lacquered			\$		
	quantity / box	volume (m³)	weight / box (lbs)	MSRP	TAX	MSRP + TAX
dining chair	3	0.4	44.1	1,390	90	1,480
low chair	2	0.5	44.1	1,490	95	1,585
barstool high	1	0.3	17.6	1,510	95	1,605
barstool low	1	0.3	17.6	1,430	90	1,520
tabouret	2	0.15	13.2	1,020	65	1,085

## cushions

	easy care & nautic linen			\$		
	quantity / box	volume (m³)	weight / box (lbs)	MSRP	TAX	MSRP + TAX
dining chair	10	0.1	4.4	330	20	350
low chair	10	0.1	4.4	460	25	485
barstool	10	0.1	4.4	310	15	325
tabouret	10	0.1	4.4	390	20	410

## cushions

	cibo, grain & smooth			\$		
	quantity / box	volume (m³)	weight / box (lbs)	MSRP	TAX	MSRP + TAX
dining chair	10	0.1	4.4	420	25	445
low chair	10	0.1	4.4	540	30	570
barstool	10	0.1	4.4	380	20	400
tabouret	10	0.1	4.4	500	30	530

## cushions

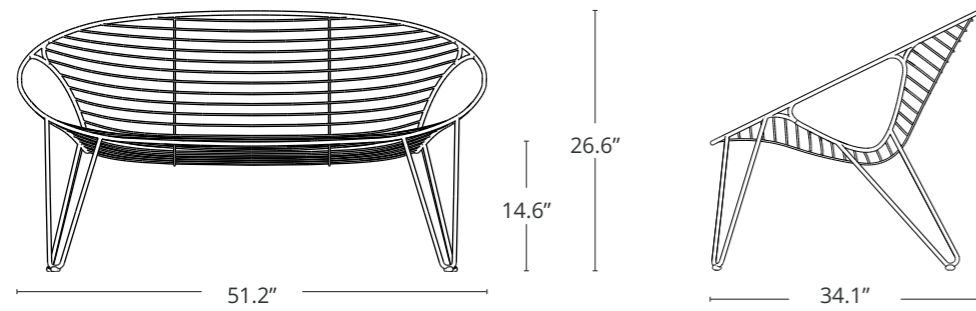
	tanned leather			\$		
	quantity / box	volume (m³)	weight / box (lbs)	MSRP	TAX	MSRP + TAX
dining chair	10	0.1	4.4	560	35	595
low chair	10	0.1	4.4	700	45	745
barstool	10	0.1	4.4	500	30	530
tabouret	10	0.1	4.4	590	35	625

# wire loungers

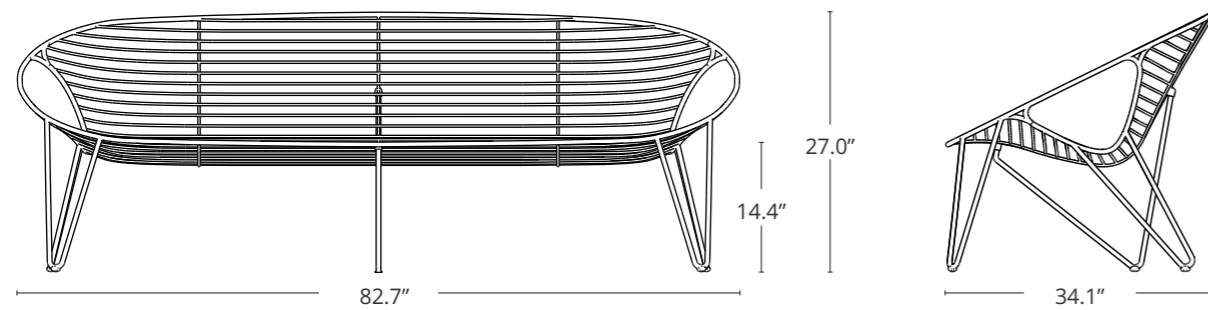
designed by Mathias De Ferm

indoor & outdoor

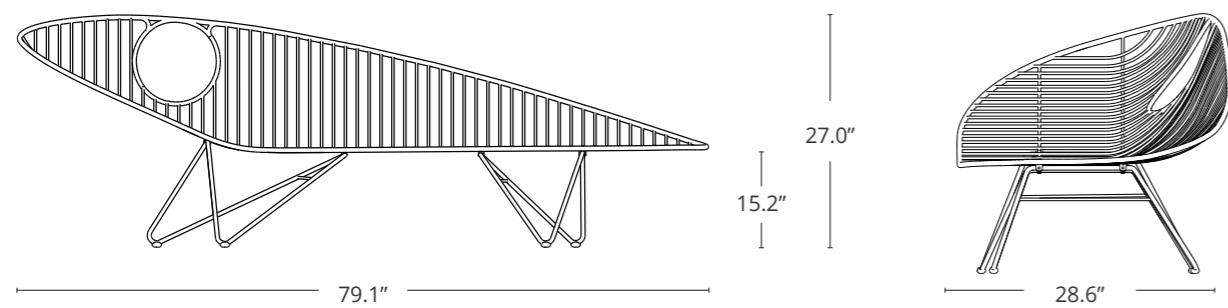
## 2- seat



## 3- seat



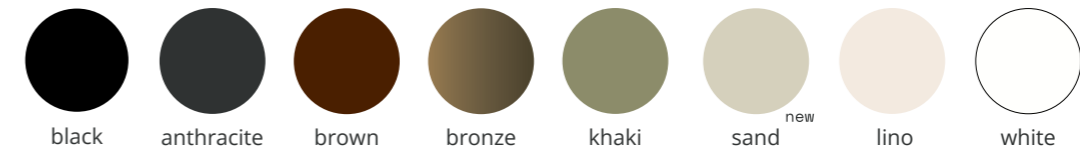
## lounger



## cushions see page 50 + 51

### frame

stainless steel lacquered



### price

	lacquered			\$		
	quantity / box	volume (m <sup>3</sup> )	weight / box (lbs)	MSRP	TAX	MSRP + TAX
2-seat	1	1	55.1	3,590	230	3,730
3-seat	1	1.64	99.2	5,940	385	6,175
lounger	1	1.64	99.2	6,660	435	6,925

### cushions

	easy care & nautic linen			\$		
	quantity / box	volume (m <sup>3</sup> )	weight / box (lbs)	MSRP	TAX	MSRP + TAX
2-seat	4	0.1	4.4	1,280	80	1,360
3-seat	4	0.1	4.4	1,620	105	1,725
lounger	4	0.1	4.4	1,730	110	1,840

### cushions

	cibo, grain & smooth			\$		
	quantity / box	volume (m <sup>3</sup> )	weight / box (lbs)	MSRP	TAX	MSRP + TAX
2-seat	4	0.1	4.4	1,390	90	1,480
3-seat	4	0.1	4.4	1,920	125	2,045
lounger	4	0.1	4.4	2,010	130	2,140

### cushions

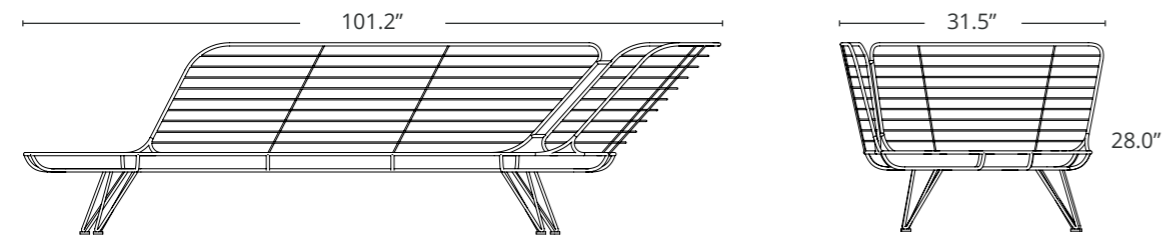
	tanned leather			\$		
	quantity / box	volume (m <sup>3</sup> )	weight / box (lbs)	MSRP	TAX	MSRP + TAX
2-seat	4	0.1	4.4	1,790	115	1,905
3-seat	4	0.1	4.4	2,540	165	2,705
lounger	4	0.1	4.4	2,770	180	2,950

# wire daybed

designed by Mathias De Ferm

indoor & outdoor

daybed



cushions see page 50 + 51

## frame

stainless steel lacquered



## price lacquered

	quantity / box	volume (m <sup>3</sup> )	weight / box (lbs)	\$		
				MSRP	TAX	MSRP + TAX
daybed	1	1.7	66.1	7,700	515	8,215

## cushions grain & smooth

	quantity / box	volume (m <sup>3</sup> )	weight / box (lbs)	\$		
				MSRP	TAX	MSRP + TAX
cushion: daybed			48.5	4,920	325	5,245
cushion: big bag (60 x 38)				390	20	410
cushion: small bag (53 x 25)				330	20	350
cushion: small pillow (45 x 45)				330	20	350
cushion: big pillow (60 x 60)				390	20	410

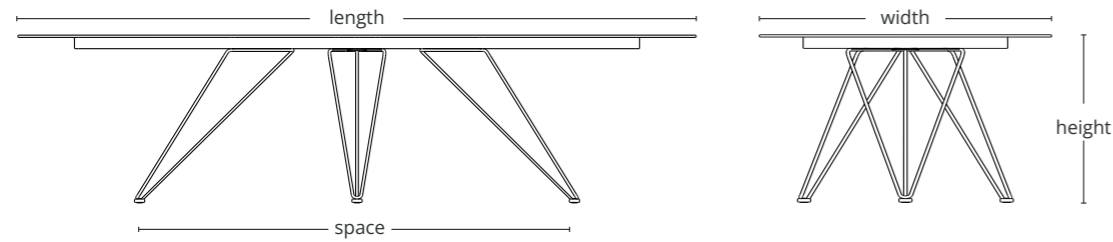
## cushions nautic linen

	quantity / box	volume (m <sup>3</sup> )	weight / box (lbs)	\$		
				MSRP	TAX	MSRP + TAX
cushion: daybed			48.5	4,550	300	4,850
cushion: big bag (60 x 38)				350	20	370
cushion: small bag (53 x 25)				300	15	315
cushion: small pillow (45 x 45)				300	15	315
cushion: big pillow (60 x 60)				350	20	370

# wire dining tables

indoor & outdoor

designed by Mathias De Ferm



## rectangular



length	width	height	space	seats*	quantity / box / table	volume (m <sup>3</sup> )	weight (lbs)	\$		
								MSRP	TAX	MSRP + TAX
118.1	39.4	29.5	90.6	8 - 10	4	0.5	235.9	9,050	595	9,645
98.4	39.4	29.5	70.9	8 - 10	4	0.5	216.1	8,610	560	9,170
86.6	39.4	29.5	59.1	8	4	0.5	189.6	8,535	550	9,085
78.7	39.4	29.5	54.3	8	4	0.5	171.9	7,290	465	7,755
70.9	35.4	29.5	43.3	6	4	0.5	152.1	7,260	460	7,720

## faux elyps



length	width	height	space	seats*	quantity / box / table	volume (m <sup>3</sup> )	weight (lbs)	\$		
								MSRP	TAX	MSRP + TAX
118.1	43.3	29.5	90.6	8 - 10	4	0.5	189.6	9,875	650	10,525
98.4	43.3	29.5	70.9	8 - 10	4	0.5	171.9	9,270	605	9,875
86.6	43.3	29.5	59.1	8	4	0.5	235.9	9,210	600	9,810
78.7	43.3	29.5	54.3	8	4	0.5	216.1	7,775	500	8,275
70.9	39.4	29.5	43.3	6	4	0.5	189.6	7,755	495	8,250

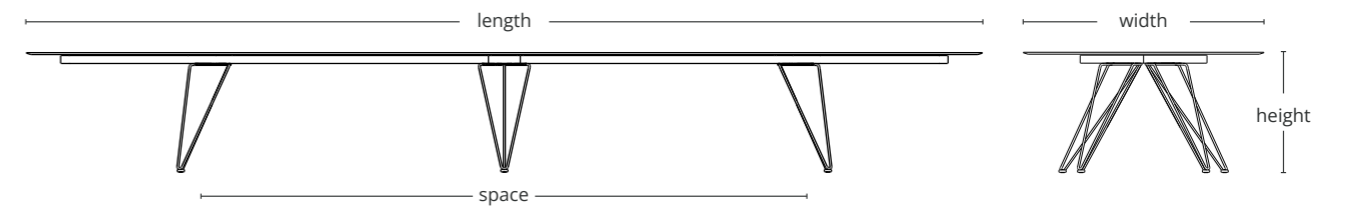
## elyps



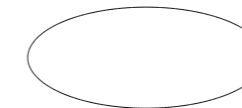
length	width	height	space	seats*	quantity / box / table	volume (m <sup>3</sup> )	weight (lbs)	\$		
								MSRP	TAX	MSRP + TAX
118.1	50.4	29.5	55.1	8 - 10	4	0.5	227.0	9,710	640	10,350
98.4	50.4	29.5	55.1	6 - 8	4	0.5	191.8	9,260	605	9,865
82.7**	50.4	29.5	55.1	6	4	0.5	174.2	8,610	555	9,165

\* depending on chair width

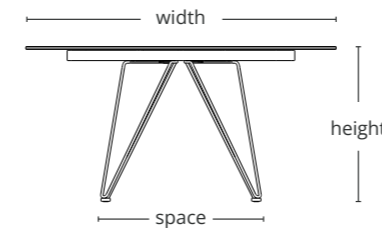
\*\* for this size, we use the same frame as in the 250 model, which may make the frame visible at the ends.



## majestic



length	width	height	space	seats*	quantity / box / table	volume (m <sup>3</sup> )	weight (lbs)	\$		
								MSRP	TAX	MSRP + TAX
236.2	59.1	29.5 / 26.0	161.8	16 - 18	7	1.5	553.4	22,145	1,490	23,635
196.9	59.1	29.5 / 26.0	122.4	14 - 16	7	1	487.2	20,930	1,405	22,335
157.5	59.1	29.5 / 26.0	83.5	12 - 14	7	0.9	421.1	20,120	1,345	21,465



## round

width	height	space	seats*	quantity / box / table	volume (m <sup>3</sup> )	weight (lbs)	\$		
							MSRP	TAX	MSRP + TAX
59.1	29.5	39.0	6 - 7	4	0.5	149.9	8,360	530	8,890
47.2	29.5	30.3	5	4	0.5	141.1	6,630	400	7,030

## square

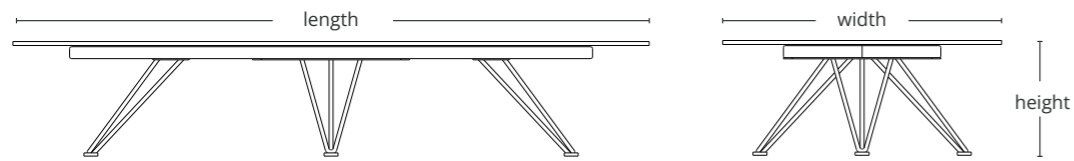
width	height	space	seats*	quantity / box / table	volume (m <sup>3</sup> )	weight (lbs)	\$		
							MSRP	TAX	MSRP + TAX
59.1	29.5	39.0	6 - 8	4	0.5	189.6	7,280	455	7,735
51.2	29.5	30.3	5	4	0.5	171.9	7,070	435	7,505

\* depending on chair width

# wire coffee tables

indoor & outdoor

designed by Mathias De Ferm



## rectangular



length	width	height	quantity / box / table	volume (m <sup>3</sup> )	weight (lbs)	\$		
						MSRP	TAX	MSRP + TAX
59.1	39.4	11.4	2	0.5	125.7	4,740	285	5,025
51.2	27.6	11.4	2	0.5	110.2	4,515	265	4,780
39.4	39.4	11.4	2	0.5	110.2	4,515	250	4,765

## elyps



length	width	height	quantity / box / table	volume (m <sup>3</sup> )	weight (lbs)	\$		
						MSRP	TAX	MSRP + TAX
63.0	27.6	11.4	2	0.5	110.2	4,740	285	5,025
47.2	23.6	11.4	2	0.5	105.8	4,515	260	4,775

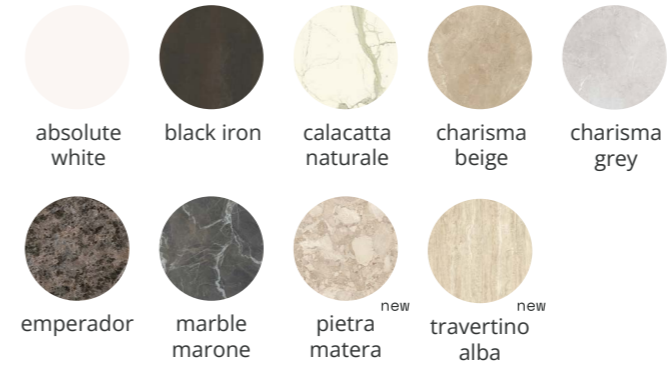
## frame

stainless steel lacquered

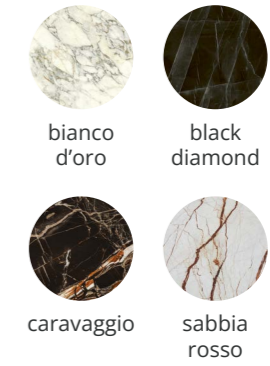


## ceramic table top

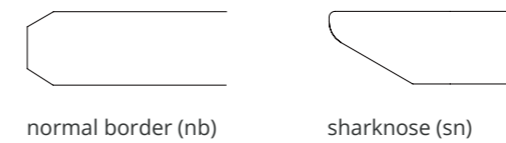
### matt



### glossy



## table top finish



## + supplement

- Adjustment frame or top: closest standard dimension +15%
- Adjustment frame and top: closest standard dimension +25%
- Height not adjustable
- Supplement Majestic: oval cable entry ceramics 1,015 USD

# ceramics

Ceramic tabletops consists of minerals that are compressed under high pressure and at a high temperature to create a very dense, homogeneous structure.

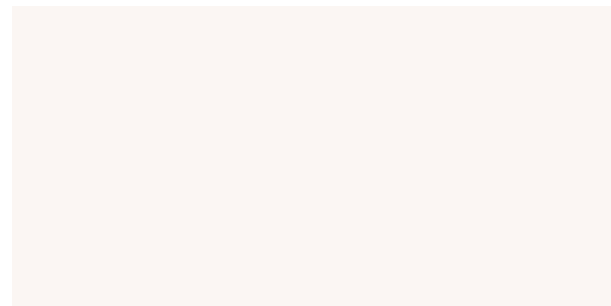
The advantages of ceramic tabletops:

- No scratches\*
- 100% UV resistant & 100% frost-resistant
- Does not absorb fat, acid, water or wine
- No visible dust
- Easy to maintain

## ceramic 0.4"

This is a full ceramic plate with a glass fibre membrane underneath.

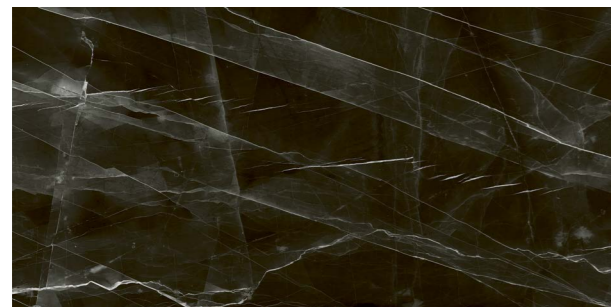
\* bianco d'oro, black diamond, caravaggio and sabbia rosso are more sensitive to scratches due to a high-gloss layer.



absolute white matt



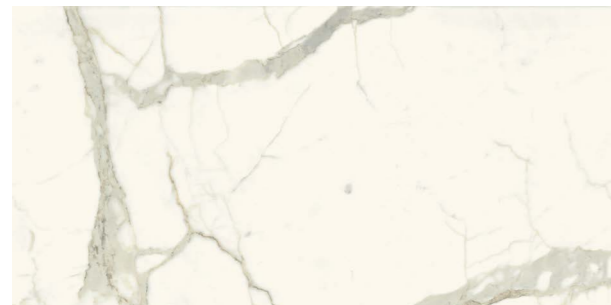
bianco d'oro glossy



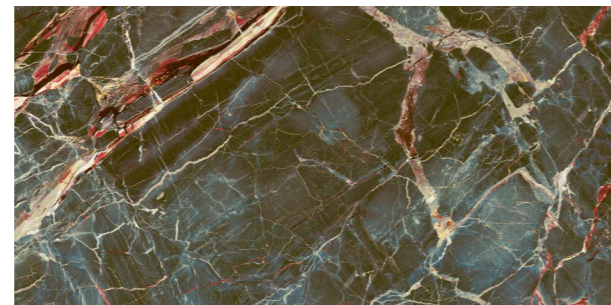
black diamond glossy



black iron matt



calacatta naturale \* matt



caravaggio glossy



charisma beige \* matt



charisma grey \* matt



emperador matt



marble marone \* matt



pietra matera \* matt

new



sabbia rosso glossy



travertino alba \* matt

new

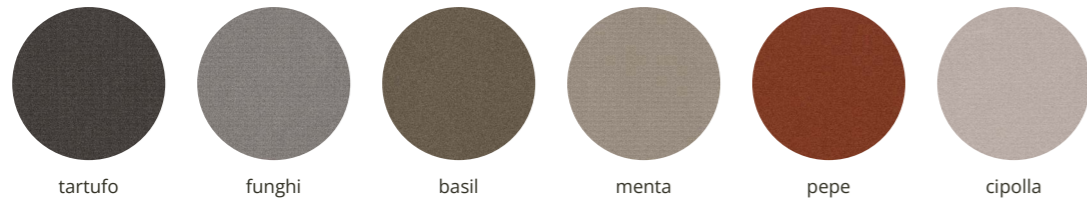
# fabrics

## cibo

16% cotton, 84% polyester | martindale: 45.000



indoor



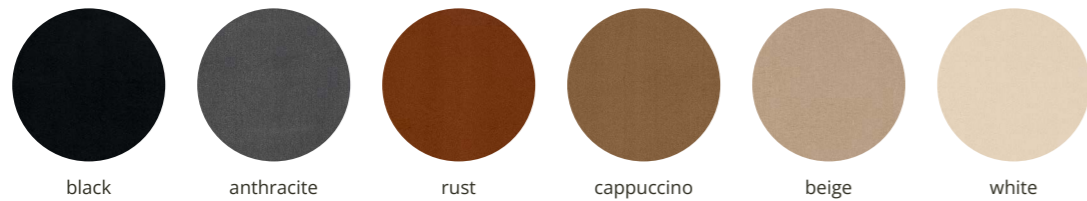
## easy care fabrics

100% enhanced micro polyester chenille yarn | martindale: 84.000



## moss-tex

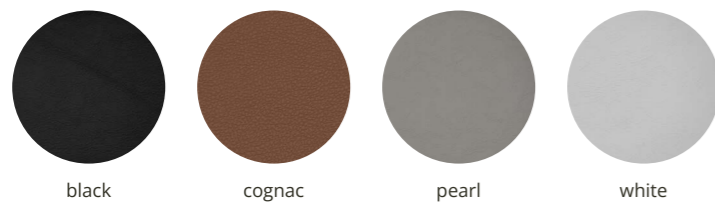
26% acrylic fiber, 17% cotton, 31% polyamide of nylon, 26% polyester | martindale: 100.000



## leather

available while stock lasts

100% leather | flexing endurance: no cracks at 20.000 cycles



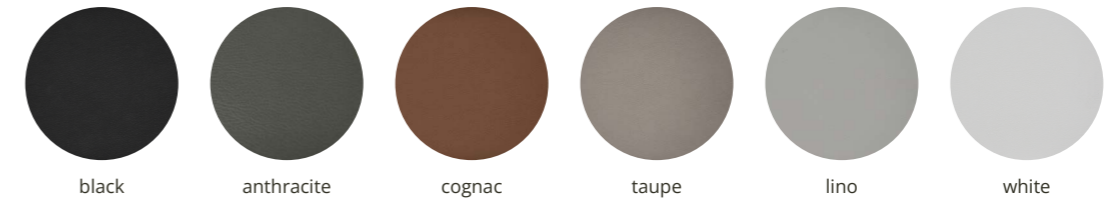
## tanned leather

100% leather | flexing endurance: no cracks at 50.000 cycles



## vegan leather

1% polyurethane, 82% polyvinyl chloride, 17% polyester | martindale: > 20.000



## grain

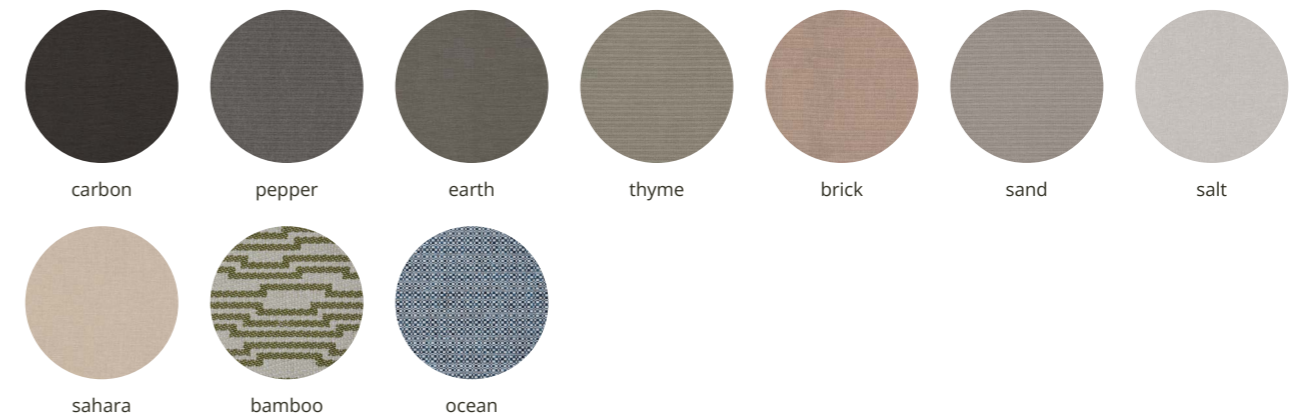
solution dyed polypropylene chenille (washable) | martindale: 40.000 | color fastness to light >7 | color fastness to weathering > 3-4

indoor & outdoor



## nautic linen

solution dyed polypropylene (washable) | martindale: > 35.000 | color fastness to light >7 | color fastness to weathering > 4-5



## smooth

solution dyed polypropylene chenille (washable) | martindale: > 30.000 | color fastness to light >7 | color fastness to weathering > 4-5



## General Conditions and Terms of Sale

01. In order to commit our Company (Ghekiere Industries BVBA), every order must be confirmed by a written Order Confirmation. Each Order Confirmation sent by our Company is considered to be accepted by the client, unless protested within 8 days of reception, and implies the immediate payment of the agreed amount upfront before production is started.

02. Our Company takes all useful steps, necessary in order to respect the terms of delivery; we do not accept any delay penalty.

03. A delay in the delivery may not lead in any case to a cancellation of the order.

04. The goods are dispatched at the own risks of the consignee.

05. All invoices of our Company are to be paid in Kurne, Belgium.

06. Our agents or representatives do not have authority to collect the amount of the invoice except when explicitly stipulated.

07. The risk of currency changes is chargeable to the client.

08. All invoices of our Company are payable within 30 days after invoice date, unless other payment terms for the client are explicitly stipulated in written communication.

09. Any amount unpaid on the due date of the invoice shall, automatically and without prior notice, bear interest at a rate of 2% above the Belgian legal interest rate, with a minimum interest rate of 12%.

10. We reserve the right to increase by 10% the amount of any invoice unpaid on the due date of the invoice. The minimum amount of any such increase shall be 50 EUR.

11. Should an invoice of a client remain unpaid on the due date, all invoices of that client shall immediately become due for payment, regardless of their original due date.

12. Should the client fail to honour his engagements, we may proceed to the cancellation of the contract. Such action shall in no way limit or prejudice our rights to claim damages and interests.

13. If in our opinion there is a deterioration in the creditworthiness of the client on account of measures of judicial execution against the client and/or other negative demonstrable events, we reserve the right to suspend all or part of any contracts in operation and to ask the buyer to provide such guarantees as we may deem proper to ensure the fulfilment by the client of his engagements under the contract. Such request may be made before or after the delivery of all or part of any order. Should the client fail to meet any reasonable demand for such a guarantee, we shall have the right to cancel all or part of any contracts in operation. Such action shall not in any way limit or prejudice our other rights for damages and interests.

14. Notwithstanding delivery and the passing of risk, property in and title to the goods, including full legal and beneficial ownership, shall remain with our Company until we have received payment of the full price of (a) all goods and/or services as the subject of the contract and (b) all other goods and/or services supplied by us to the client under any contract whatsoever. Payment of the full price shall include,

without limitation, the amount of any interest or other sum payable under the terms of this and all other contracts between the client and our Company. The client shall be entitled to transform the goods or to incorporate them in a new product or products. In that case we reserve to our Company the legal and equitable title to the final product or products into which the goods are incorporated or mixed. The client shall store the final products separately and property of these products shall remain with our Company until full payment will have been made to us for the goods. The client may sell the goods in the normal course of his business but on condition that the buyer, in a fiduciary capacity as bailee of the goods, and for so long as he has not fully discharged his debt to us, shall hold and pursue claims for the proceeds of their sale equal to the price of the goods for and on behalf of us. The client shall fully pursue such claims and if necessary shall recover the sums due by legal process. The client shall if so required by our Company, allow us to conduct in the client's name legal proceedings in respect of the amounts due on the sale of the goods. Any sums recovered by us as a result of such proceedings (including sums accepted by us in settlement thereof whether or not equal to the sums claimed) shall be applied to the payment of the amounts due to us from the client and then to the reasonable costs incurred by us in the course of such proceedings. Any balance remaining shall be paid to the client. Prior to the sale of the goods, the client shall, as far as reasonably practicable, store the goods separately from similar goods of the client, mark the goods as our property and shall not remove, obliterate or in any manner alter any label, mark or other means we may have of identifying the goods.

15. Our Company is responsible for the delivery of goods to the client's warehouse. If goods would be damaged visibly at the moment of delivery because of damaged packaging, this has to be indicated by the client's warehouse manager in written on the delivery documentation attached to the delivered goods, mentioning date, name of the warehouse manager and a description of the damage. Furthermore it is extremely important to correctly and thoroughly check all goods at the moment of delivery. All complaints should be reported to our Company within 2 days after reception of the goods, by sending an email to [info@joli.be](mailto:info@joli.be), containing a detailed description of the damage, the exact time when the damage is discovered, and photographs of the damage. Any damage reported more than 2 days after delivery is considered to have been caused at the warehouse of the client and can never lead to a damage claim or exchange by our Company.

16. At the moment that the complaint of the client has been accepted by our Company, we will send a confirmation of exchange, specifying the new delivery date for the exchange of the goods. Our Company is responsible for the return transport; the client is responsible for packaging of the to be returned goods. If these to be returned goods are not properly packaged for transport by the client and get damaged during transport, or the client fails to present these to be returned goods to our transporter, our Company will charge these goods to the client as a regular sale.

17. The terms and conditions of this contract shall not be modified in any way by the drawing or acceptance of a bill of exchange or by any other arrangement, nor shall any such act constitute a novation.

18. Disputes arising from this contract shall be referred to the Courts of Kortrijk or, at our discretion, to the Courts having jurisdiction at the client's domicile.

## joli sample cart

We proudly introduced our new sample cart during the Joli Days. A stylish and practical way to present our materials and collections.

It features space for:

- Ceramic samples
- Fabric swatches
- Catalogues

A refined and functional tool for your showroom and available for quick delivery.

Interested? Get in touch with your sales agent for more details.



## new professional portal

Discover our brand-new Professional Portal. Designed to make your work faster and more efficient. You can now preview and download exactly the images you need, photo by photo, including packshots and more. The portal also gives you quick access to all essential materials such as price lists, catalogs, and collection sheets: all in one central place.

Questions? [marketing@joli.be](mailto:marketing@joli.be)



## sketchup warehouse

Integrate our collections into your interior designs. Our models are available on SketchUp, allowing you to use them directly in your 3D visualisations.



Photography: Beeldcollectief  
Design: Stella Boumans - Unik Concepts

Joli Head office  
Industrielaan 5, 8520 Kurne - Belgium  
Tel. +32 (0)56 37 27 16  
[info@joli.be](mailto:info@joli.be)  
[www.joli.be](http://www.joli.be)

timeless design,  
endless inspiration